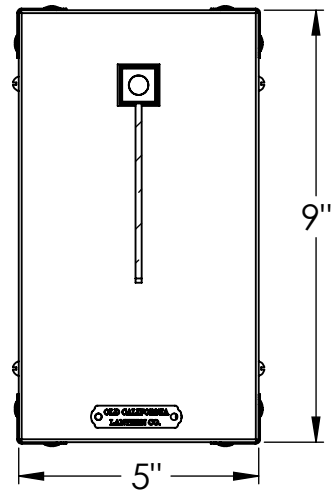
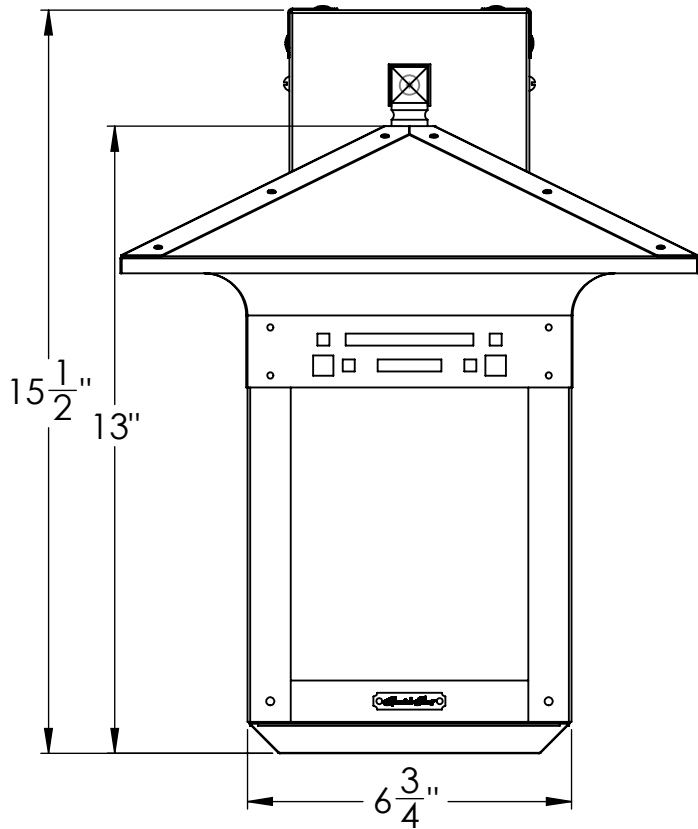
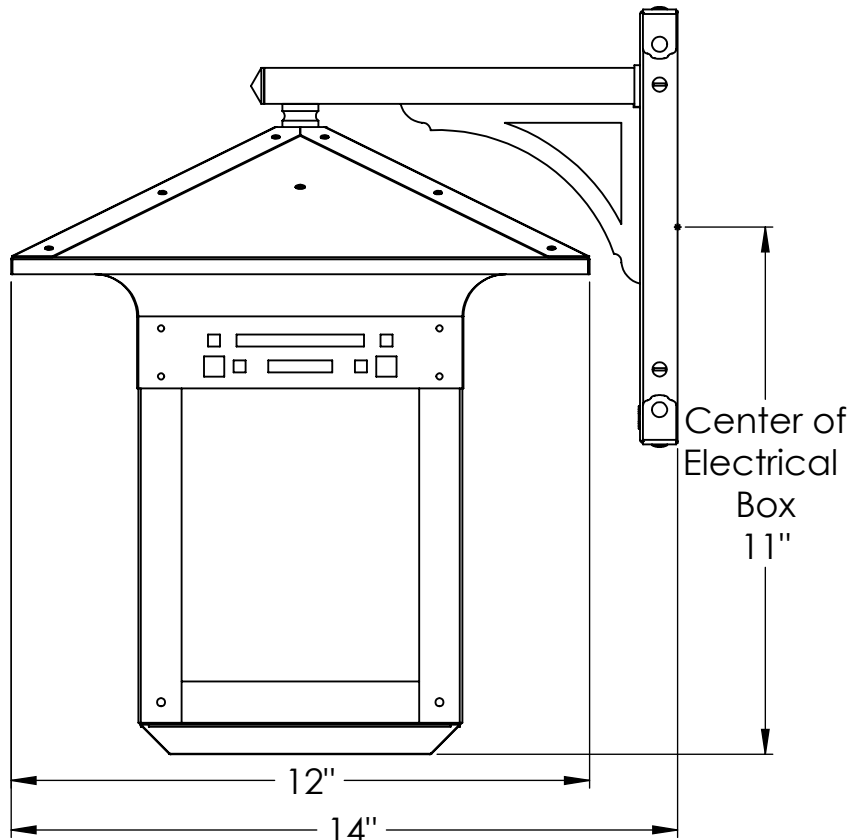


M



America's Finest
LIGHTING COMPANY

LAMP:	INCANDESCENT
WATTS:	100
VOLTS:	120
UL:	WET

SERIE:	GLEN CANYON
FIXTURE #:	403-8

PROPRIETARY AND CONFIDENTIAL
THE INFORMATION CONTAINED IN THIS DRAWING IS THE SOLE PROPERTY OF OLD CALIFORNIA LANTERN COMPANY. ANY REPRODUCTION IN PART OR AS A WHOLE WITHOUT THE WRITTEN PERMISSION OF OLD CALIFORNIA LANTERN COMPANY IS PROHIBITED.